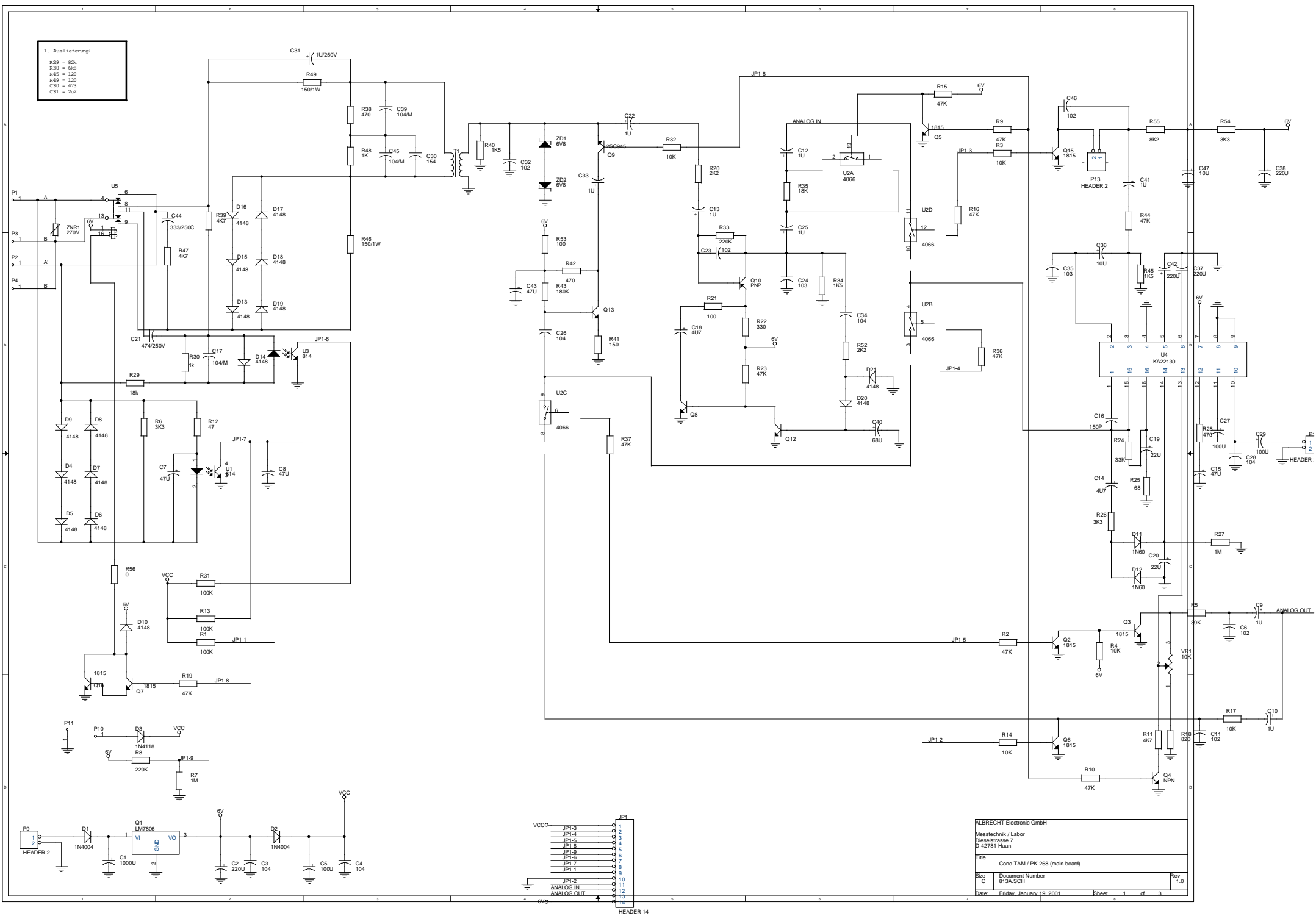


1. Auslieferung:
 R29 = 82k
 R30 = 68k
 R45 = 120
 R49 = 120
 C30 = 473
 C31 = 2x2



ALBRECHT Electronic GmbH		
Messtechnik / Labor		
Dieselstrasse 7		
D-42751 Haan		
Title		
Cono TAM / PK-268 (main board)		
Size	Document Number	Rev
C	813A SCH	1.0
Date:	Friday, January 19, 2001	Sheet 1 of 3

