

| REVISION RECORD | | | |
|-----------------|---------|----------|-------|
| LTR | ECO NO: | APPROVED | DATE: |
| | | | |
| | | | |
| | | | |

D

C

B

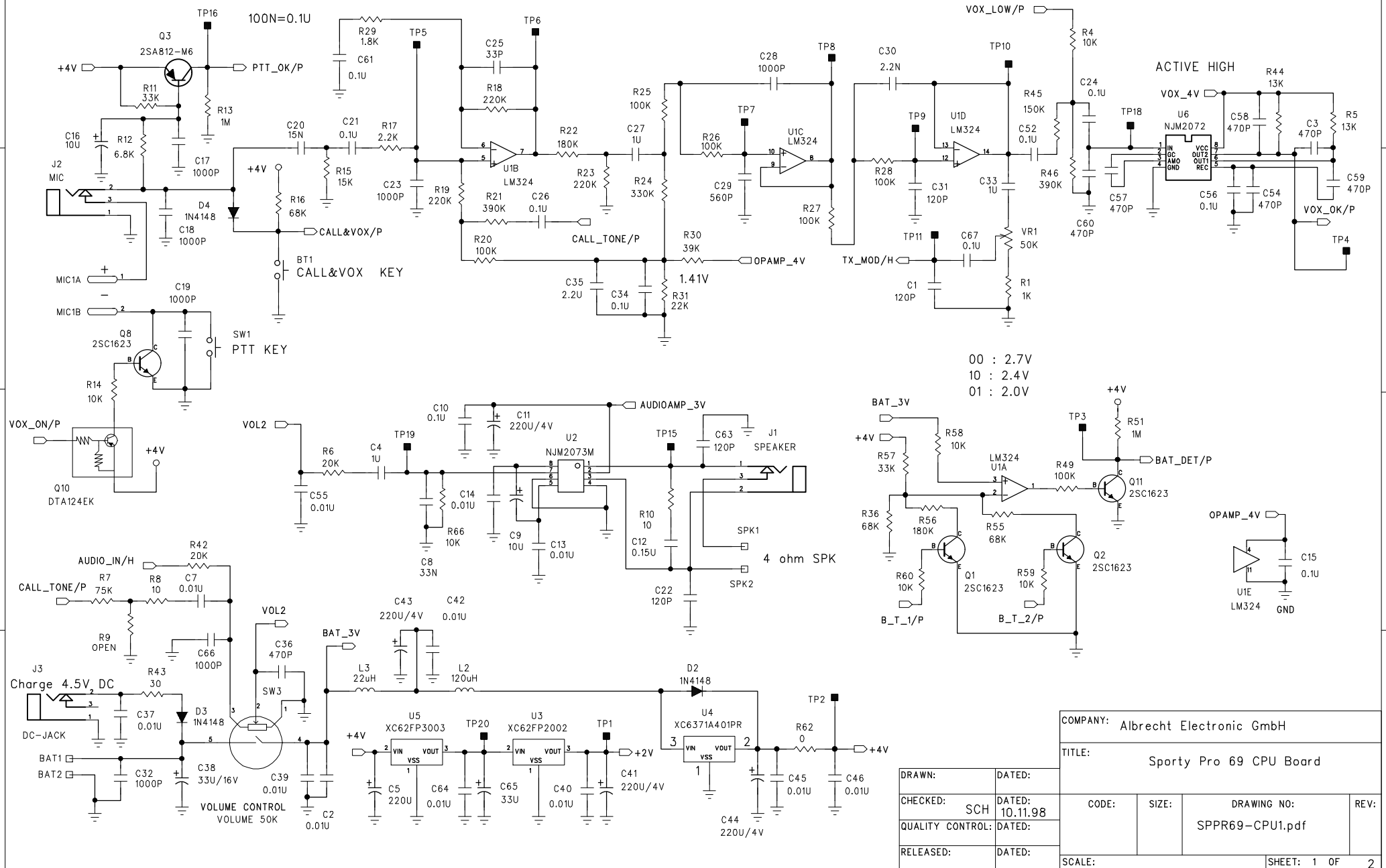
A

D

C

B

A



00 : 2.7V
 10 : 2.4V
 01 : 2.0V

| | | | |
|-----------------------------------|-----------------|-----------------|---------------|
| COMPANY: Albrecht Electronic GmbH | | | |
| TITLE: Sporty Pro 69 CPU Board | | | |
| DRAWN: | DATED: | CODE: | SIZE: |
| CHECKED: SCH | DATED: 10.11.98 | DRAWING NO: | REV: |
| QUALITY CONTROL: | DATED: | SPPR69-CPU1.pdf | |
| RELEASED: | DATED: | SCALE: | SHEET: 1 OF 2 |