

6

5

4

3

2

1

D

D

C

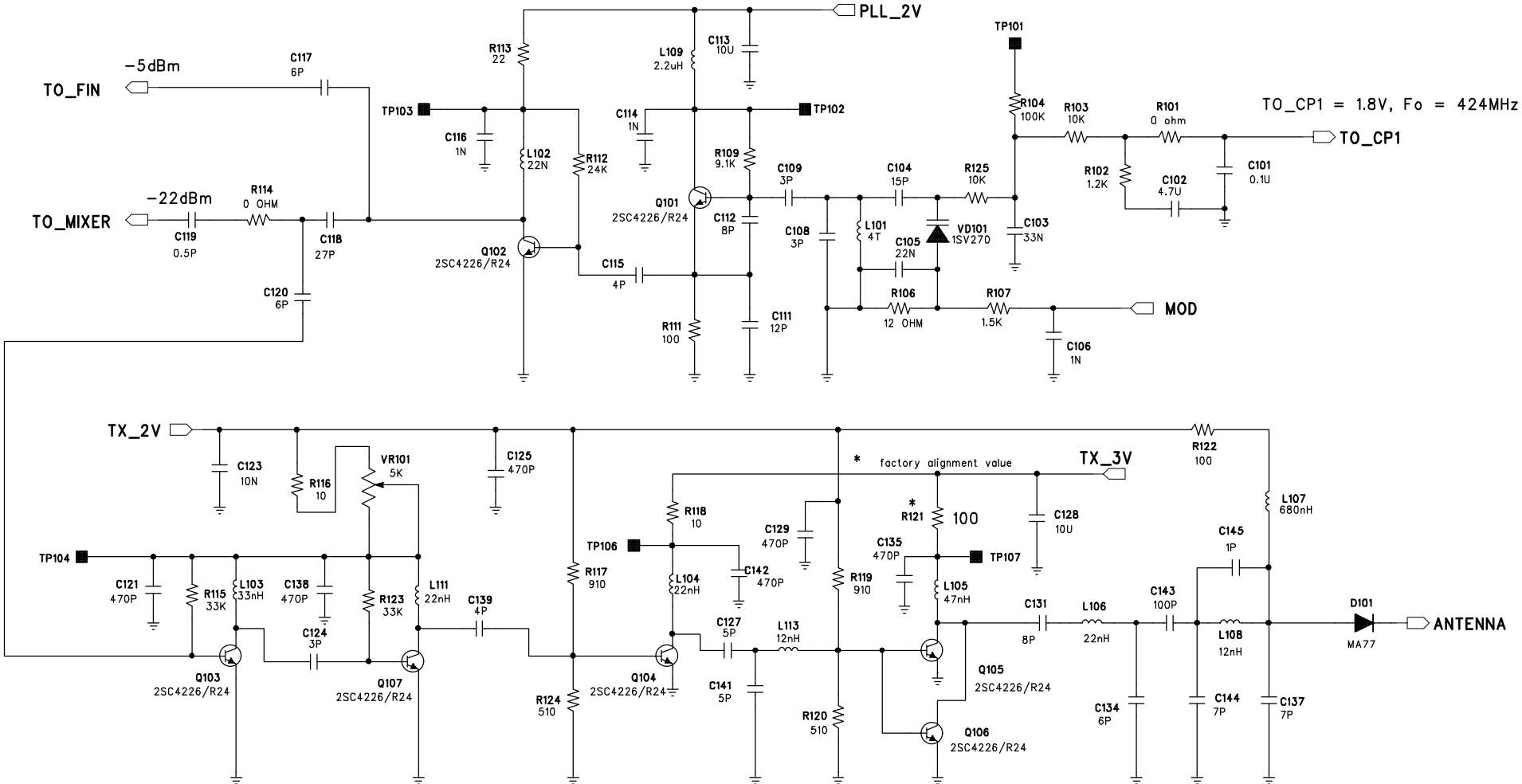
C

B

B

A

A



DRAWN: SCH	DATED: 10.11.98	COMPANY: Albrecht Electronic GmbH	REV: 1.0
CHECKED:	DATED:	TITLE: Sporty Pro 69 PLL & TX board	
		CODE: H245	DRAWING NO:
			SHEET: 1 OF 1