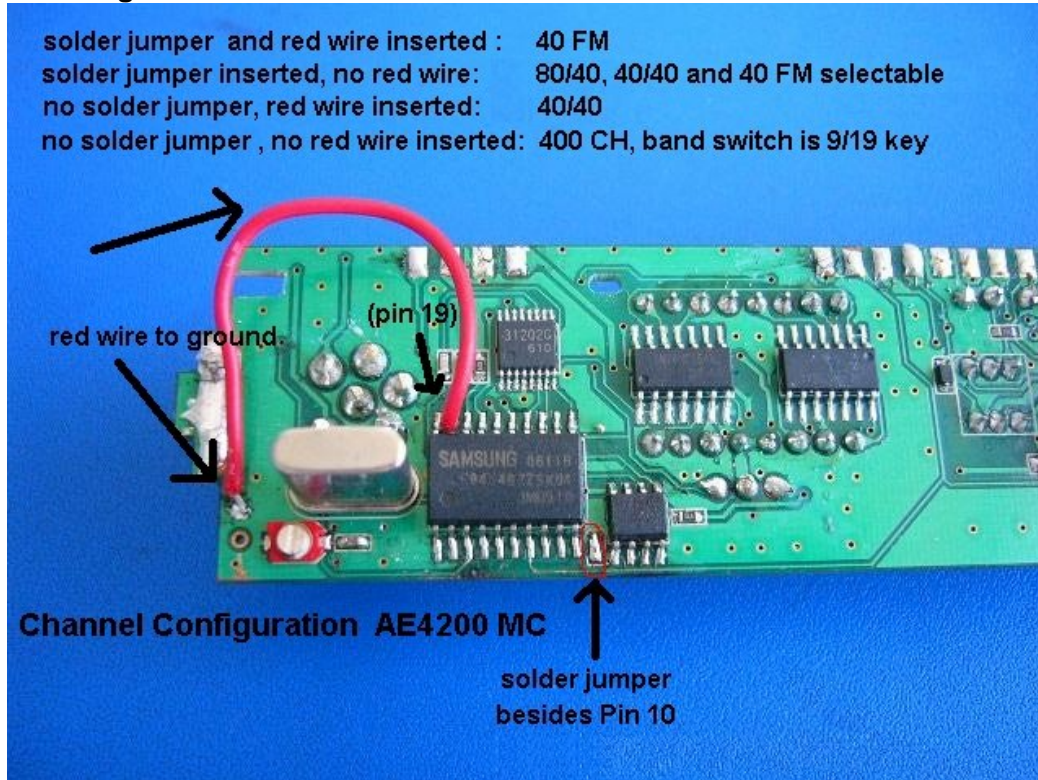


AE 4200 MC Modifications for use in other countries

Please note: These informations are only valid for countries like Austria (FM only) and Spain (AM 4 W and 40/40), where special versions of our radios are allowed with hardware modifications provided by authorised service people.

Channel configuration:



Power setting for AM (4 Watt only in Spain)

