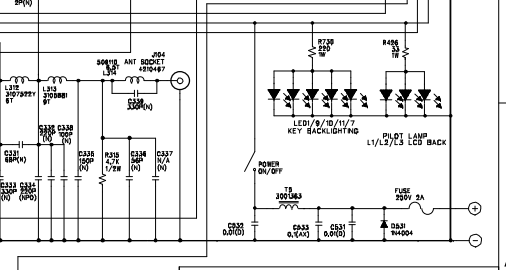
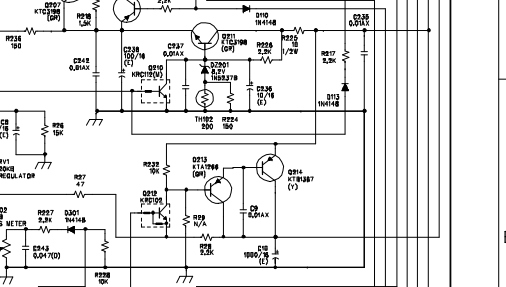
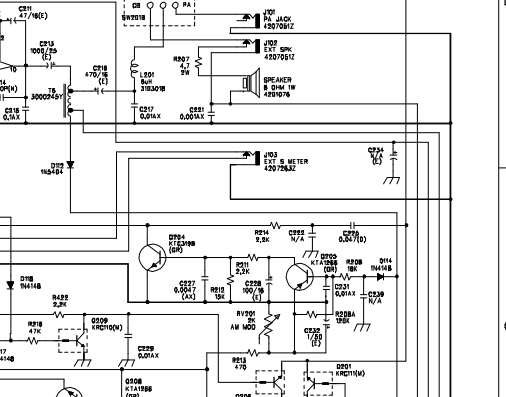
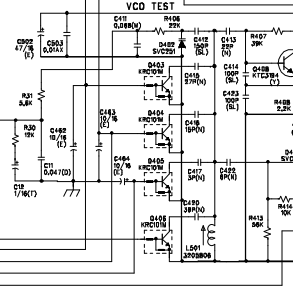
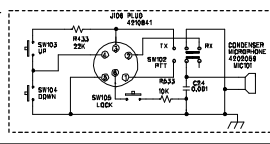


REVISION RECORD			
LT#	LED NO.	APPROVED	DATE



EQUIPMENT: MAXON SYSTEMS (THAILAND) CO., LTD.

TITLE: ALAN48 PLUS MULTI

DRAWN	DATE	DESIGN	DRAWING NO.	REV

SHEET: 1 OF 1