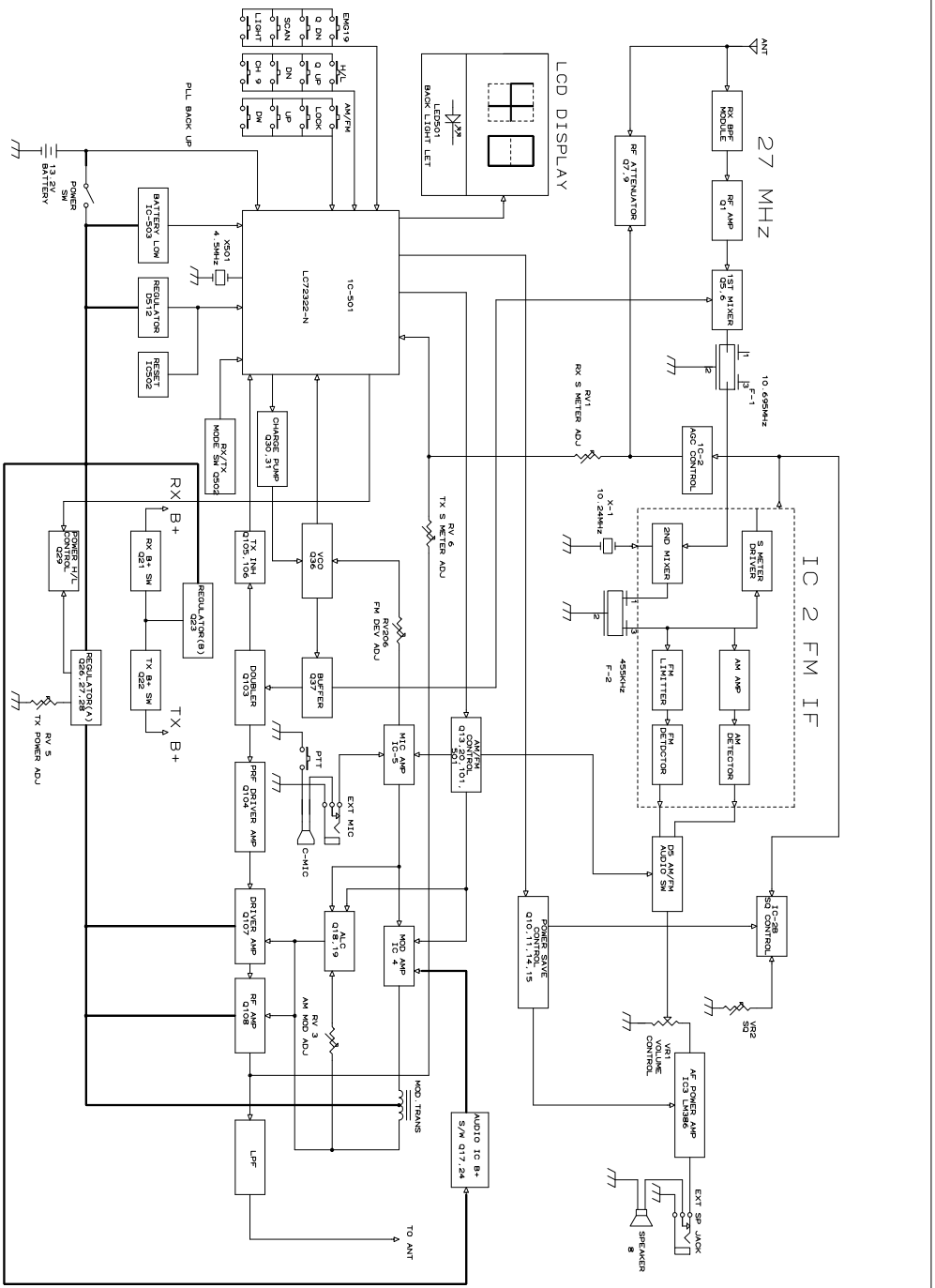
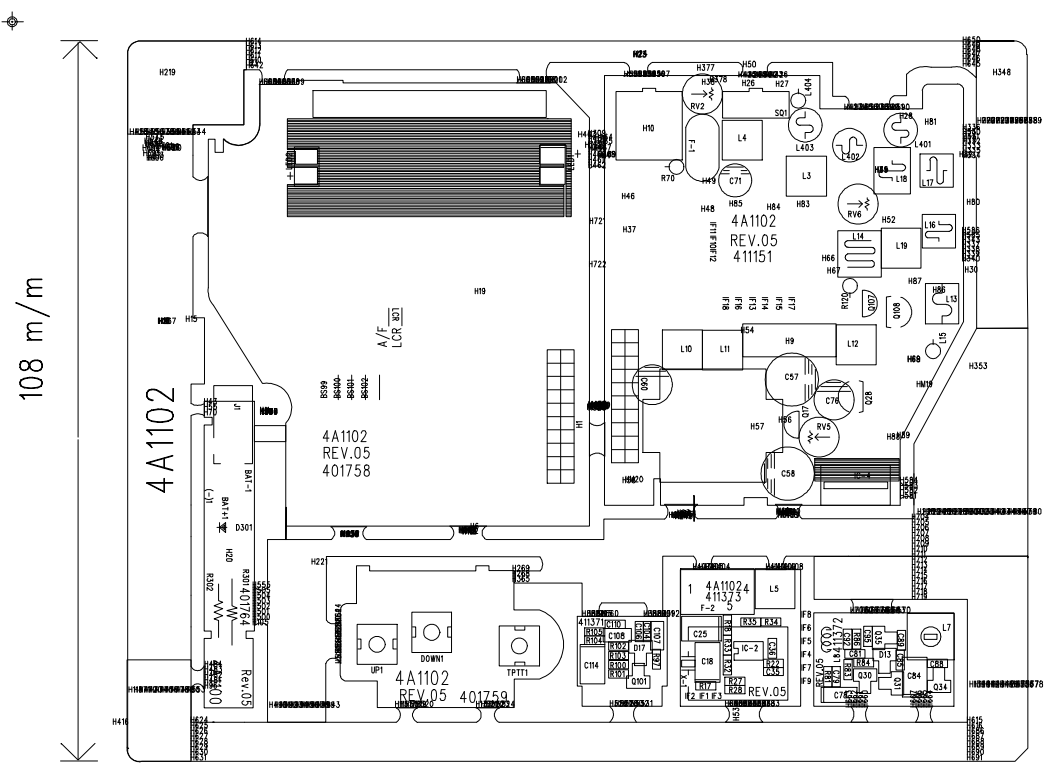


P171 ON TRANSMITTER SCHEMATIC DIAGRAM
 BY: [unreadable]
 ALIAS: [unreadable]
 DATE: [unreadable]



T1116 MAKON CB TEAM
 CB TRANSCEIVER BLOCK DIAGRAM
 5/27/2004 REV
 AS MARCH 24, 1997 5

REVISION					SHEET OF																																											
MODEL CODE	MEC DWG.	SCH DWG.	MATERIAL	SCALE	PCB SIZE	*SAMPLE & PRODUCTION LIST*																																										
1664	4A1102	1664 MAIN	FR-4 GOLD	1 : 1	135X108X1.0T	<table border="1"> <thead> <tr> <th>PARTS NO</th> <th>Rev.</th> <th>SYM</th> <th>CONTENTS</th> <th>DATE</th> <th>Ref. NO</th> </tr> </thead> <tbody> <tr> <td>4A1102</td> <td>00</td> <td>SMP</td> <td>11f1-6175</td> <td>96.5.25</td> <td>11D1-065</td> </tr> <tr> <td>4A1102</td> <td>01</td> <td>SMP</td> <td>11f1-6225</td> <td>96.7.02</td> <td>11D1-065-1</td> </tr> <tr> <td>4A1102</td> <td>02</td> <td>SMP</td> <td>11f1-6259</td> <td>96.8.02</td> <td>11D1-193</td> </tr> <tr> <td>4A1102</td> <td>03</td> <td>SMP</td> <td>11f1-6295</td> <td>96.9.18</td> <td>11D1-242</td> </tr> <tr> <td>4A1102</td> <td>04</td> <td>TOOL</td> <td>11f1-6379</td> <td>96.DEC.12</td> <td>11D1-306</td> </tr> <tr> <td>4A1102</td> <td>05</td> <td>TOOL</td> <td>62B1-0002</td> <td>97.1.13</td> <td>11D1-348</td> </tr> </tbody> </table>	PARTS NO	Rev.	SYM	CONTENTS	DATE	Ref. NO	4A1102	00	SMP	11f1-6175	96.5.25	11D1-065	4A1102	01	SMP	11f1-6225	96.7.02	11D1-065-1	4A1102	02	SMP	11f1-6259	96.8.02	11D1-193	4A1102	03	SMP	11f1-6295	96.9.18	11D1-242	4A1102	04	TOOL	11f1-6379	96.DEC.12	11D1-306	4A1102	05	TOOL	62B1-0002	97.1.13	11D1-348
PARTS NO	Rev.	SYM	CONTENTS	DATE	Ref. NO																																											
4A1102	00	SMP	11f1-6175	96.5.25	11D1-065																																											
4A1102	01	SMP	11f1-6225	96.7.02	11D1-065-1																																											
4A1102	02	SMP	11f1-6259	96.8.02	11D1-193																																											
4A1102	03	SMP	11f1-6295	96.9.18	11D1-242																																											
4A1102	04	TOOL	11f1-6379	96.DEC.12	11D1-306																																											
4A1102	05	TOOL	62B1-0002	97.1.13	11D1-348																																											



NOTE
 MAIN : 64.5X53.9X1.0 (411151)
 LCD :66.5X57.5X1.0 (401758) GOLD
 SUB(S/W):33.5X21.3X1.0(401759)
 OP AMP:13.5X13.5X1.0(411371)
 VCO :21X14X1.0 (411372)
 IF :20.5X18X1.0 (411373)

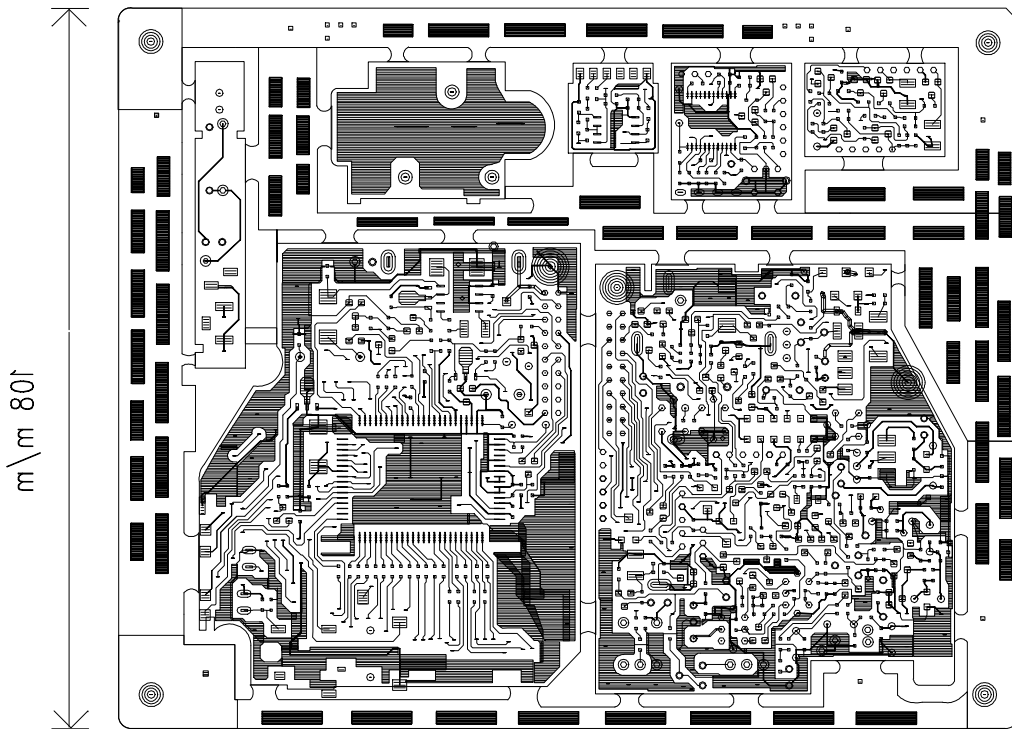
 MAXON ELECTRONICS CO.,LTD. #459-23,KASAN-DONG KUMCHON-KU, SEOUL,KOREA	Title	Part NO.	Rev.	Drawn By	Checked By	Checked By	Approved By
	ALAN42 ASS'Y TOP SCREEN	4A1102	05	Date	Date	Date . .	Date . .

DATE	DATE	DATE	DATE
02			
DATE	DATE	DATE	DATE
Drawn By	Checked By	Checked By	Approved By

IL :50'2X18X10 (411313)
 ACO :5X14X10 (411315)
 OY AMB:13'2X12'2X10(411311)
 2UB(2\W):23'2X51'2X10(401228)
 ΓCD :88'2X27'2X10 (401228) COGD
 MAIN : 84'2X23'2X10 (411211)

NOTE

2 LAYER



REV	DATE	BY	CHKD	DESCRIPTION
01	02/01/00	1001	00	INITIAL
02	04/01/00	1001	00	DECISION
03	05/01/00	2MB	00	REVISION
04	05/01/00	2MB	00	REVISION
05	10/01/00	2MB	00	REVISION
06	02/01/00	2MB	00	REVISION
07	02/01/00	2MB	00	REVISION

REV	DATE	BY	CHKD	DESCRIPTION
01	02/01/00	1001	00	INITIAL
02	04/01/00	1001	00	DECISION
03	05/01/00	2MB	00	REVISION
04	05/01/00	2MB	00	REVISION
05	10/01/00	2MB	00	REVISION
06	02/01/00	2MB	00	REVISION
07	02/01/00	2MB	00	REVISION

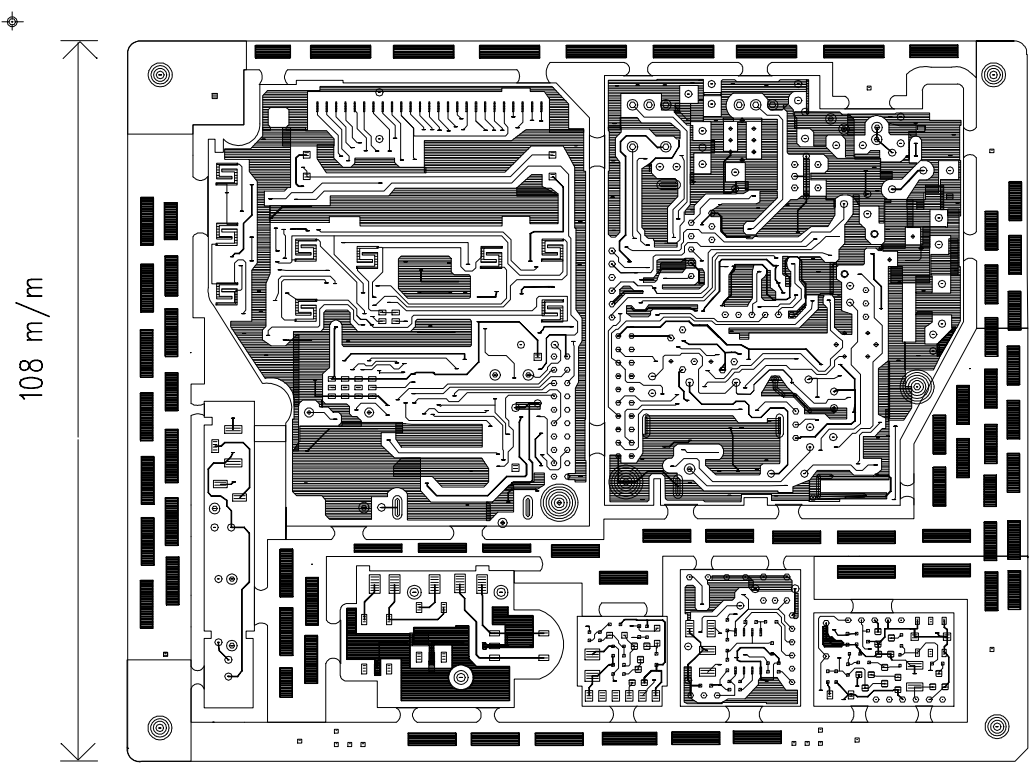
2AMPLE & PRODUCTION LIST

REVISION

SHEET OF

REVISION						SHEET OF					
MODEL CODE	MEC DWG.	SCH DWG.	MATERIAL	SCALE	PCB SIZE	*SAMPLE & PRODUCTION LIST*					
1664	4A1102	1664 MAIN	FR-4 GOLD	1 : 1	135X108X1.0T	PARTS NO	Rev.	SYM	CONTENTS	DATE	Ref. NO

4A1102	00	SMP	11f1-6175	96.5.25	11D1-065
4A1102	01	SMP	11f1-6225	96.7.02	11D1-065-1
4A1102	02	SMP	11f1-6259	96.8.02	11D1-193
4A1102	03	SMP	11f1-6295	96.9.18	11D1-242
4A1102	04	TOOL	11f1-6379	96.DEC.12	11D1-306
4A1102	05	TOOL	62B1-0002	97.1.13	11D1-348



1 LAYER

NOTE
 MAIN : 64.5X53.9X1.0 (411151)
 LCD :66.5X57.5X1.0 (401758) GOLD
 SUB(S/W):33.5X21.3X1.0(401759)
 OP AMP:13.5X13.5X1.0(411371)
 VCO :21X14X1.0 (411372)
 IF :20.5X18X1.0 (411373)

 <small>MAXON ELECTRONICS CO.,LTD. #459-23,KASAN-DONG KUMCHON-KU, SEOUL,KOREA</small>	Title	Part NO.	Rev.	Drawn By	Checked By	Checked By	Approved By
	ALAN42 ASS'Y TOP PATTERN	4A1102	05	Date	Date	Date . .	Date . .