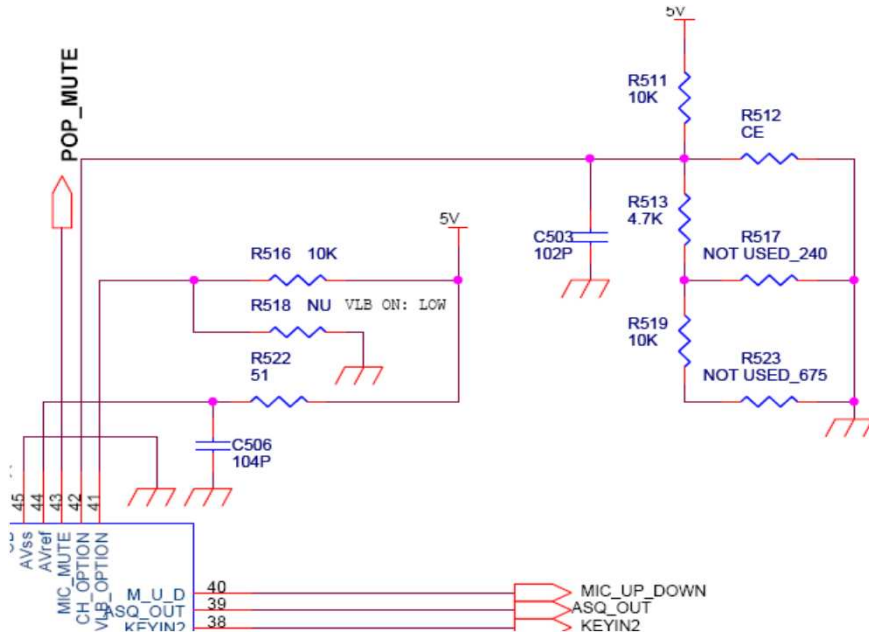


Channel Expansion
 AE 6490 / AE 6491

AE6490 : 11110001 ~ 11111515
 AE6491 : 11110001 ~ 11111010



Install 0 ohm resistor

Location	CE	240ch	675ch
R512	0 ohm	not use	not use
R517	not use	0 ohm	not use
R523	not use	not use	0 ohm

Remark:

In 675CH mode, CE version circuit does not support VCO and RF section.
 So please do not use the 675CH modification solution in European (CE type) radios!

