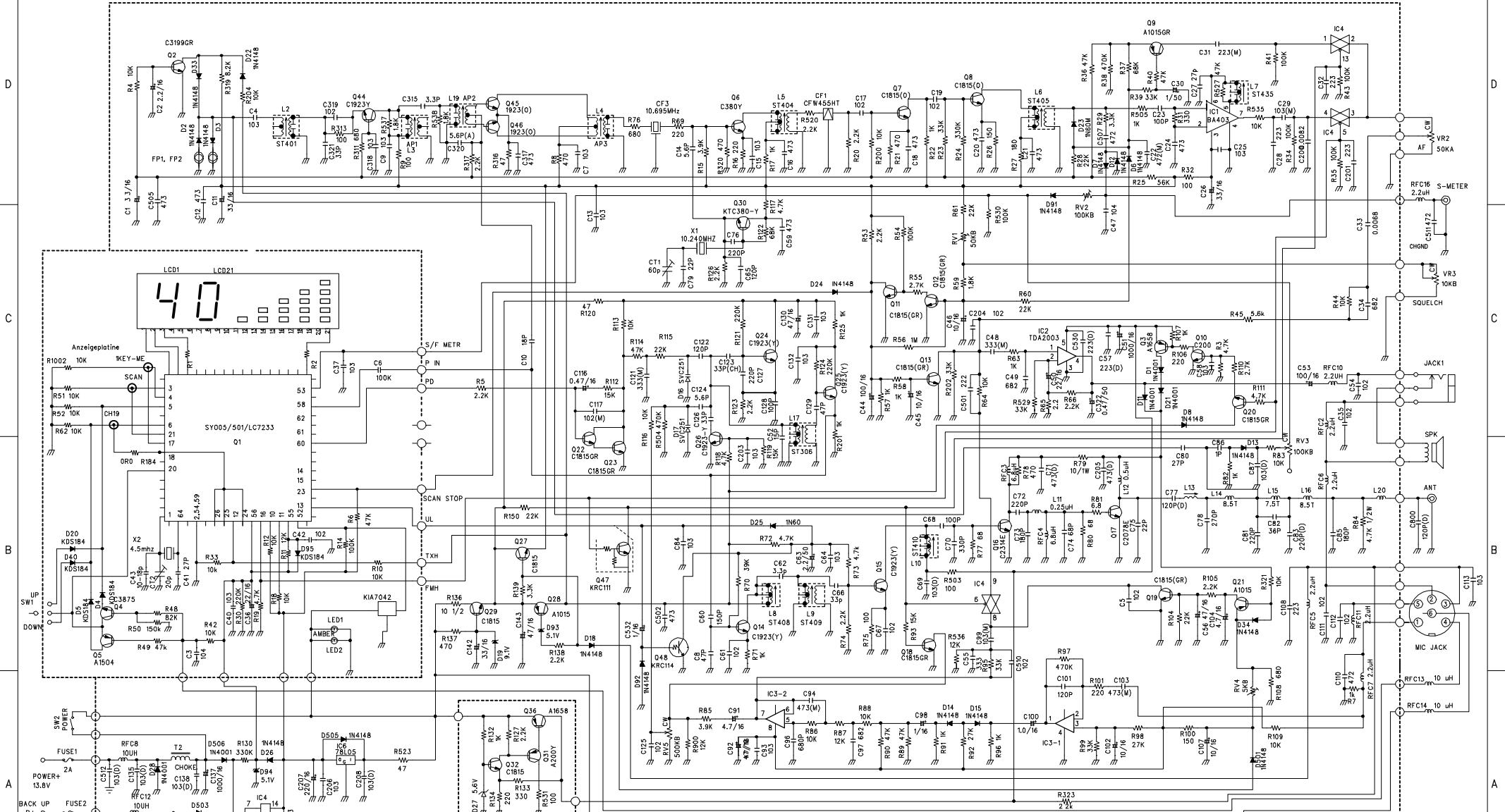


SCHEMATIC DIAGRAM



MAIN PC BOARD

REV.	DATE	NAME	DESCRIPTION	CHECK
1		W.SCH	CEPT-VERSION AE 5280	
2			40 CH FM / ETS 300 135	
UNI	SCALS	SHEET	Manufacturer: ALBRECHT	
DRW.	CHK.	APP.	PRODUCT FAMILY AE5280	
951104	MAY96		DRAWING NO.: 5280FM-3.SCH	