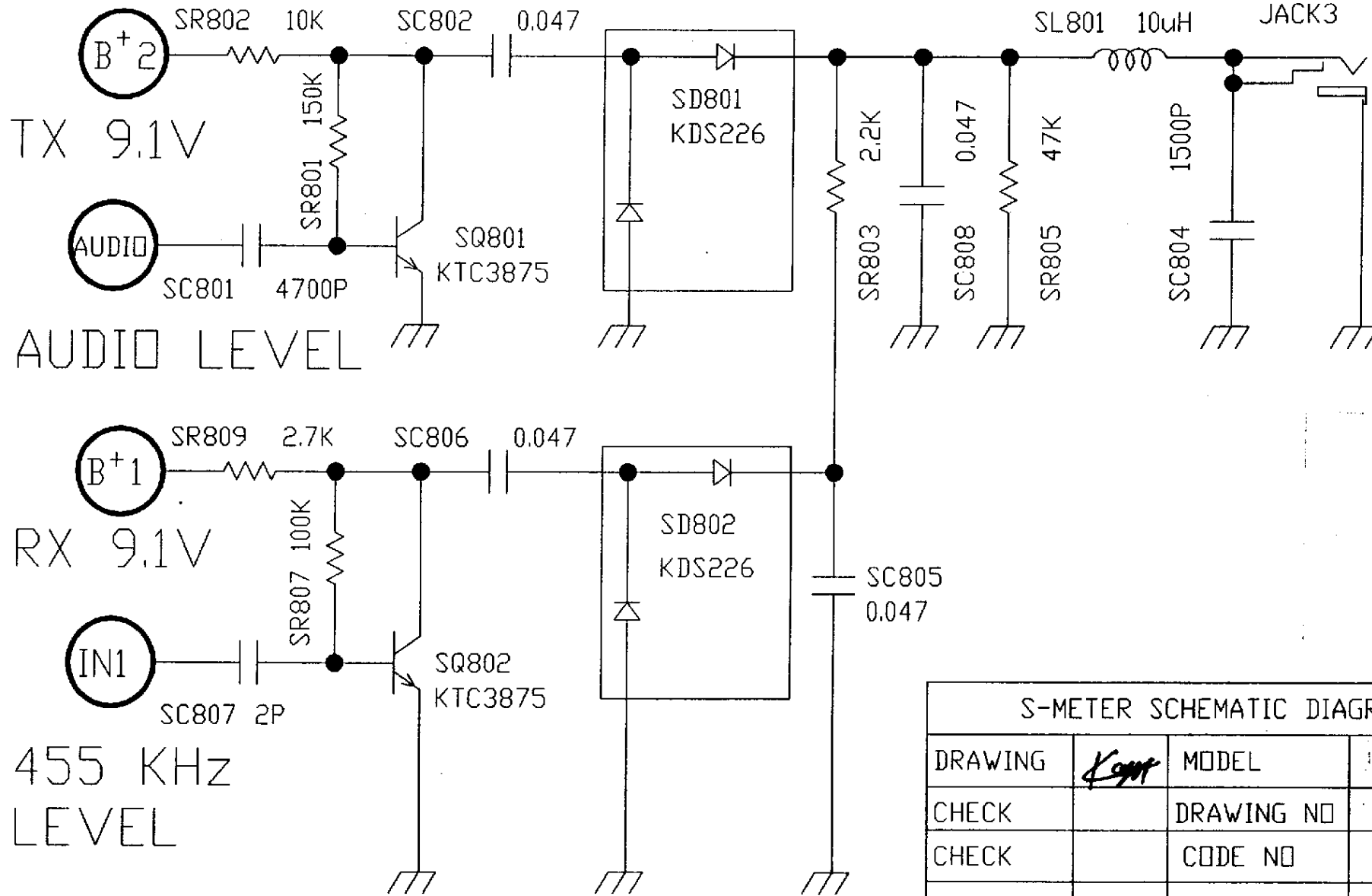


# SIGNAL METER SCHEMATIC

Albrecht AE 5100 / 5150 / 5180 Anschluß S-Meter



S-METER SCHEMATIC DIAGRAM

DRAWING	<i>K901</i>	MODEL	10-11-100
CHECK		DRAWING NO	10-11-100
CHECK		CODE NO	
APPROVAL		DATE	