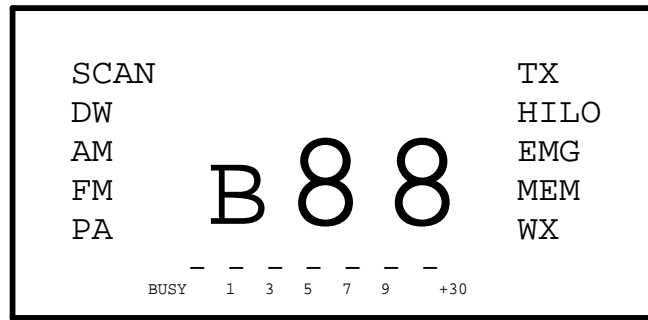
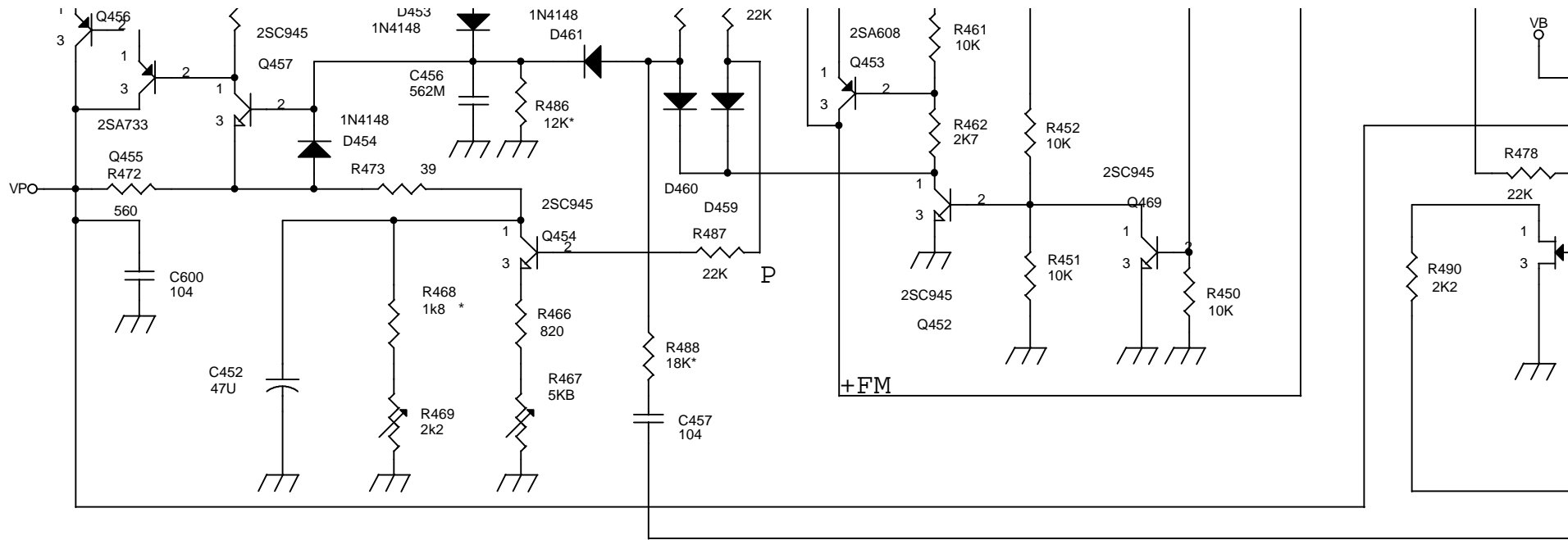
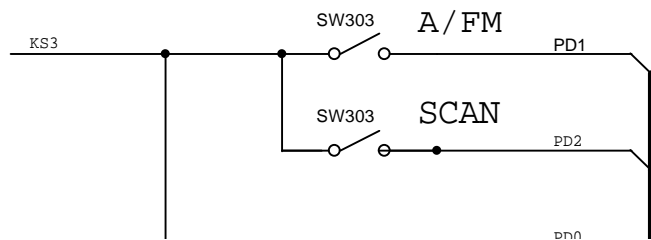


A

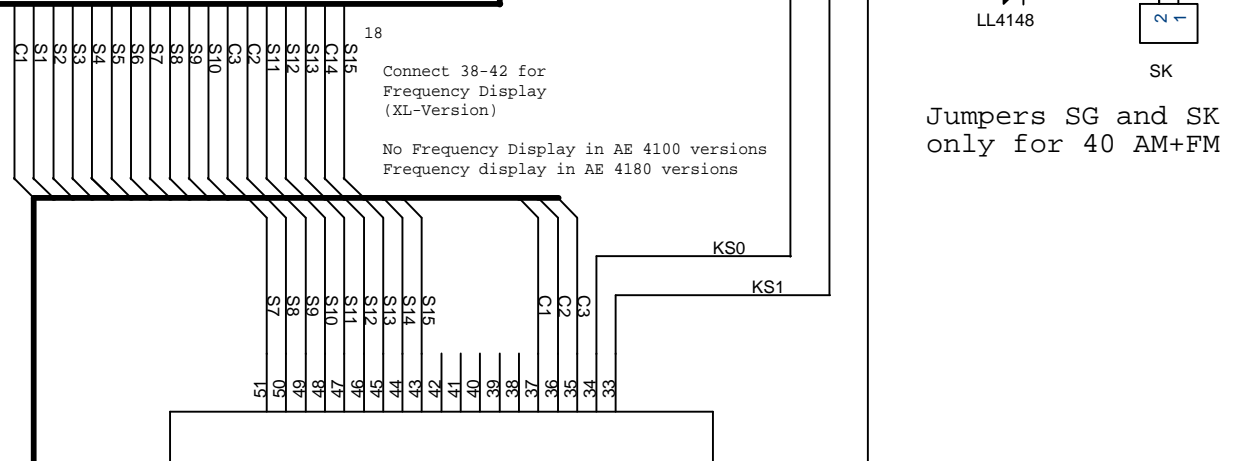


Selection of switch jumpers according to versions:

SCAN (only CEPT Versions)
 AM/FM (not in CEPT Versions)

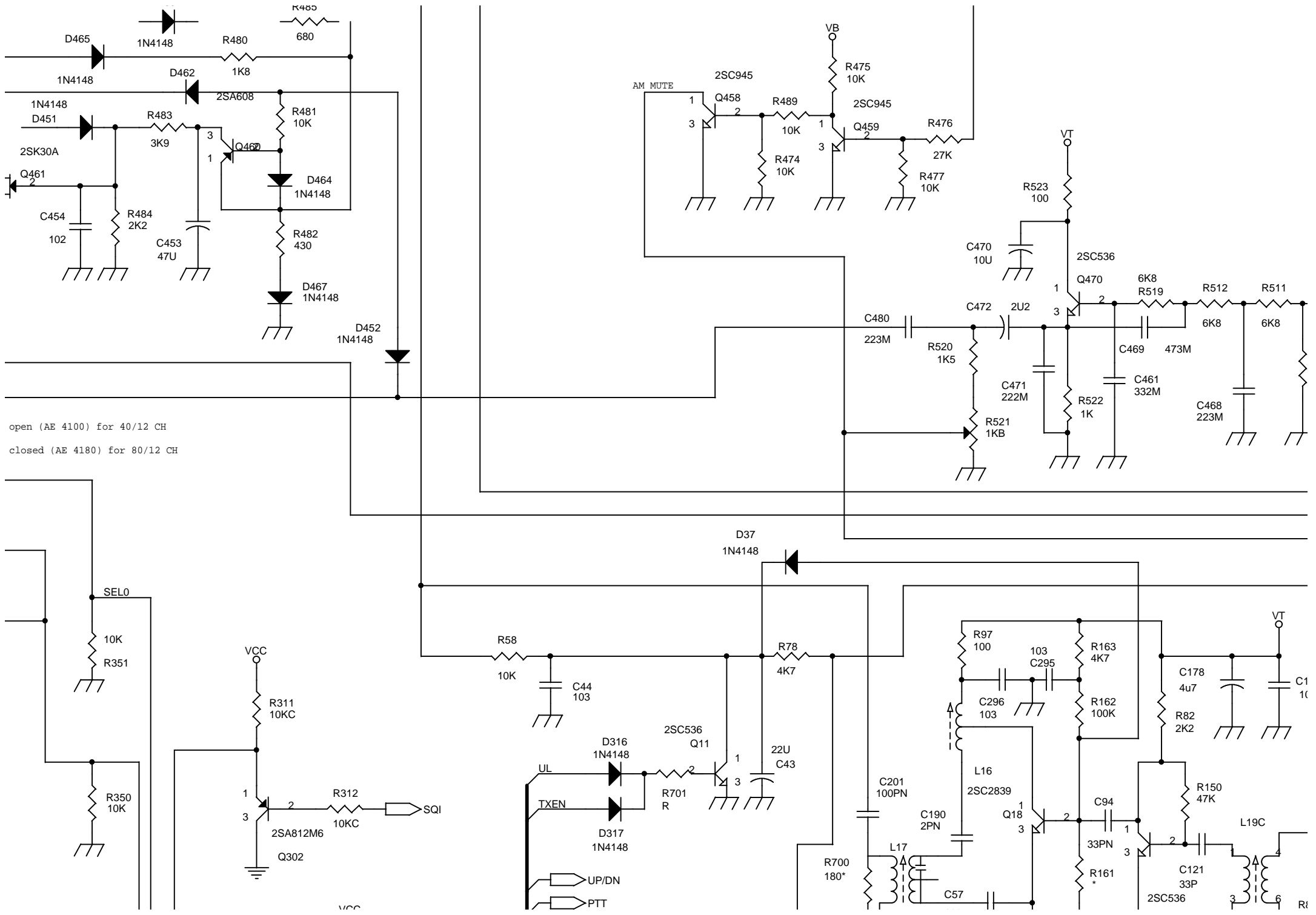


Connect 38-42 for Frequency Display (XL-Version)
 No Frequency Display in AE 4100 versions
 Frequency display in AE 4180 versions



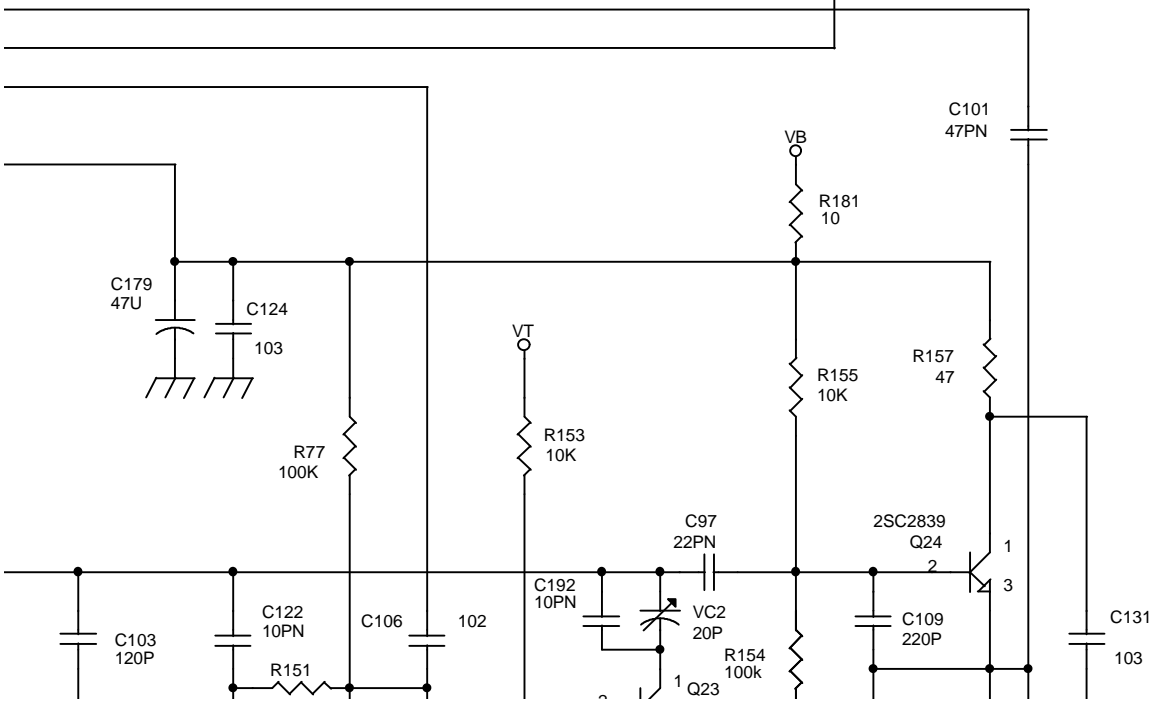
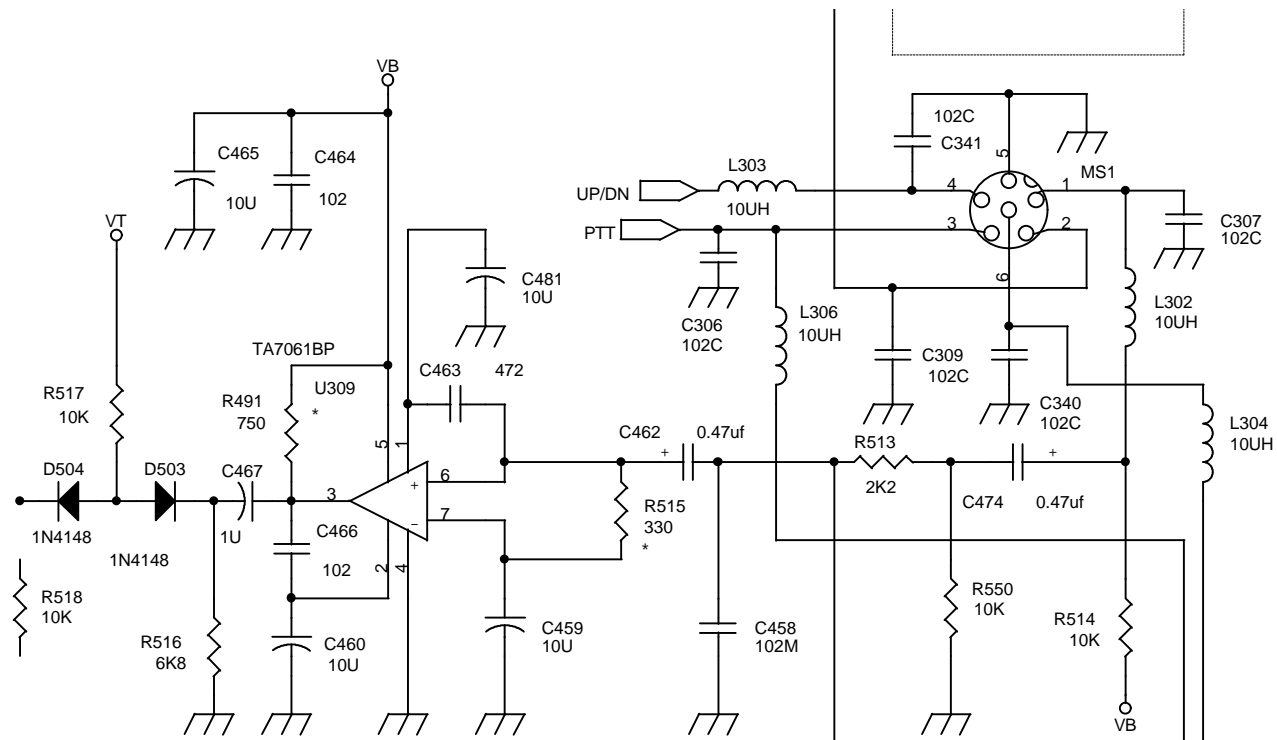
Jumper SA of
 Jumper SA cl

Jumpers SG and SK
 only for 40 AM+FM



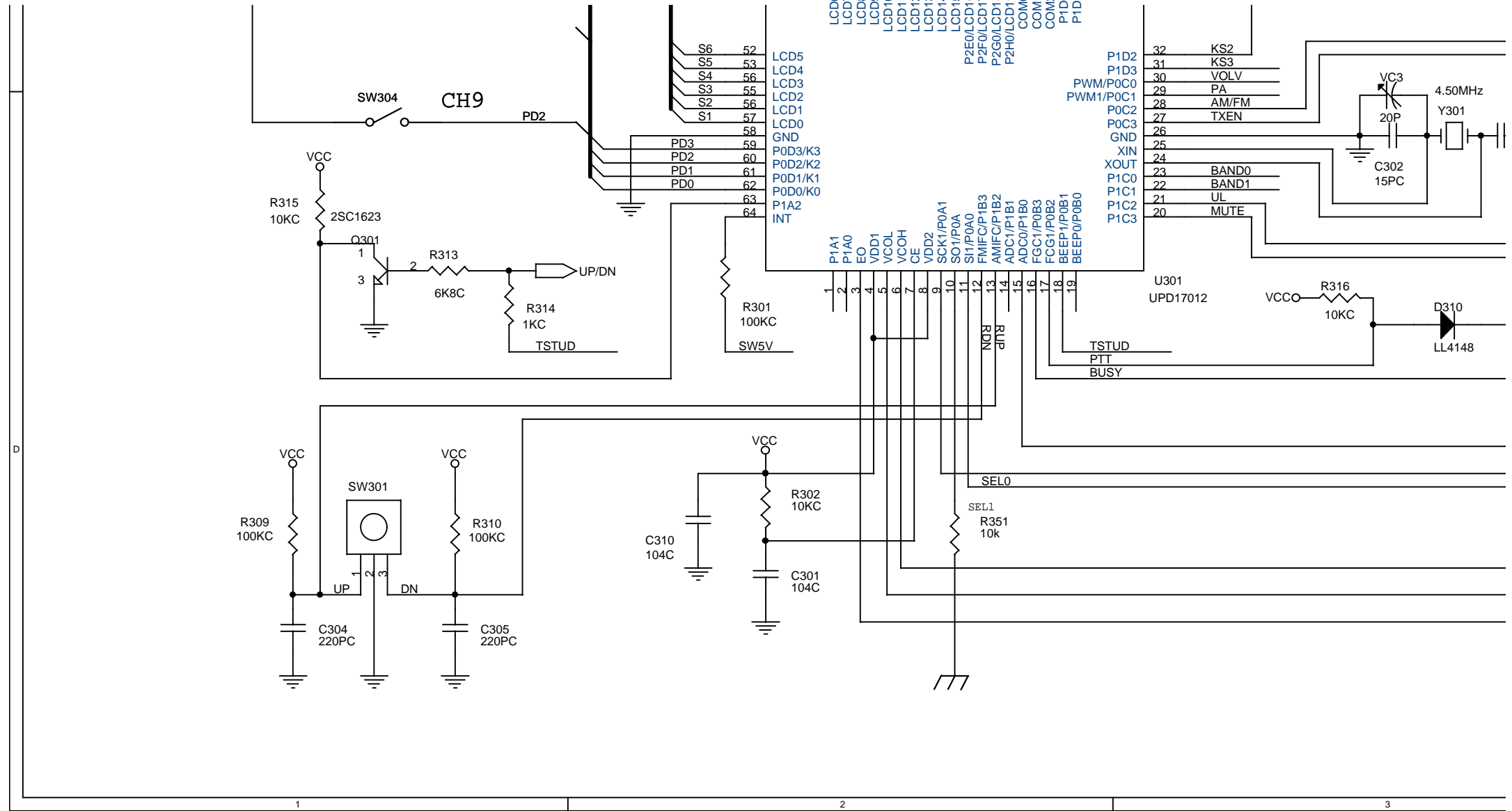
VCC

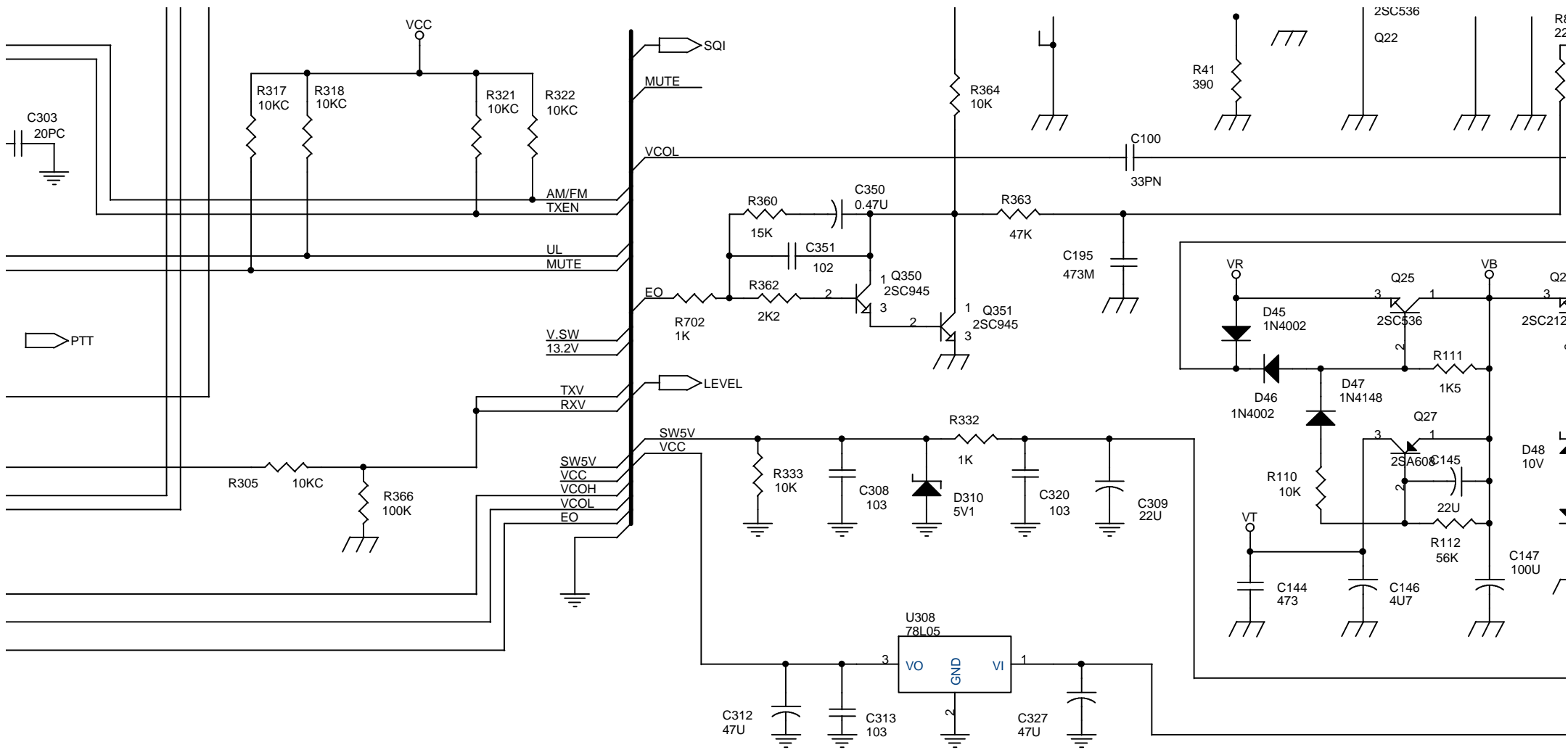
R1



B

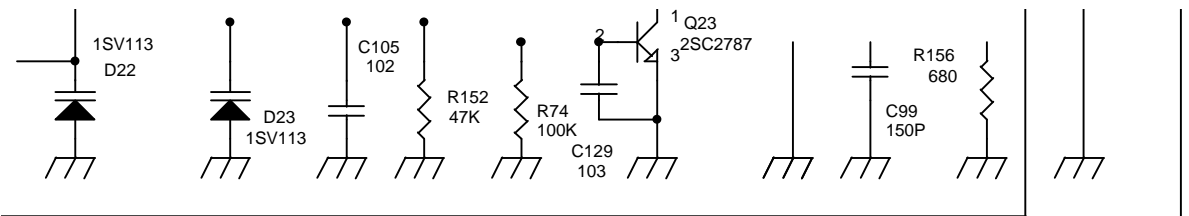
C





4

5



Version differences:

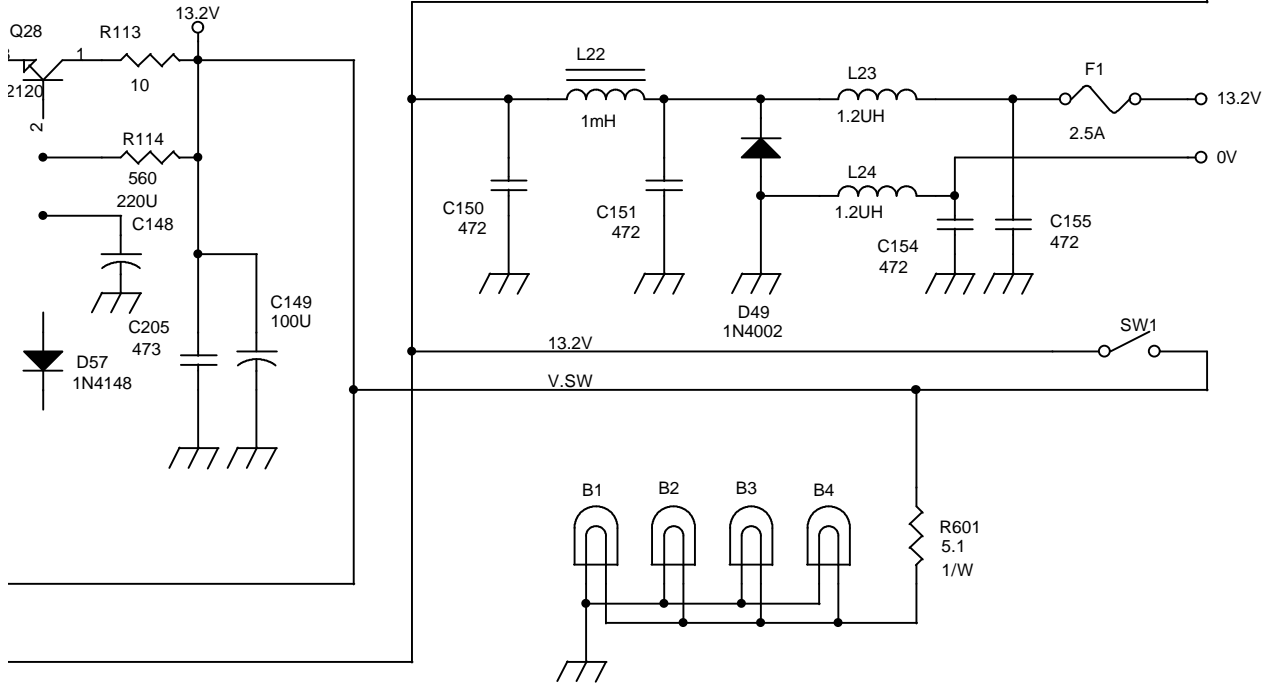
AE 4100 : AE 4180:
 without with CH + Frequency
 Frequency display display
 display

40 Channels AM + FM
 B, F, NL, E, P, CH, FIN

AE 4180 80/12:
 80 CH FM, 12 CH AM
 D-only

AE 4100 40/12:
 40 CH FM, 12 CH AM
 D-only

CEPT-PR 27
 Versions:
 40 CH FM only
 All Countries



ALBRECHT		
Title AE4100 Sept97 / AE 4180		
Size D	Document Number 41XXD-1.SCH	Rev
Date: Thursday, July 23, 1998	Sheet 1 of 1	