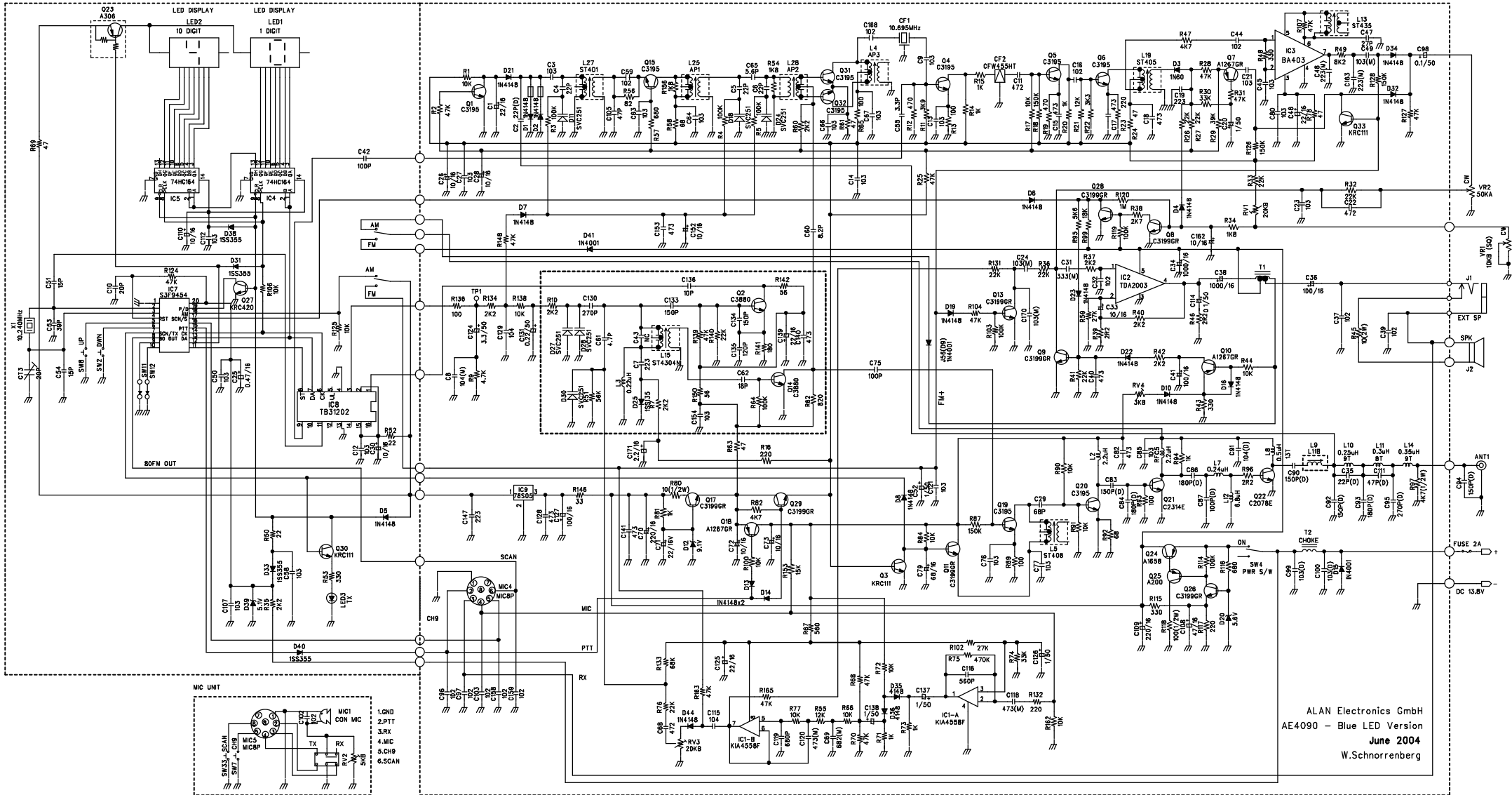


CIRCUIT DIAGRAM / SCHALTBILD

AE4090



ALAN Electronics GmbH
 AE4090 - Blue LED Version
 June 2004
 W.Schnorrenberg