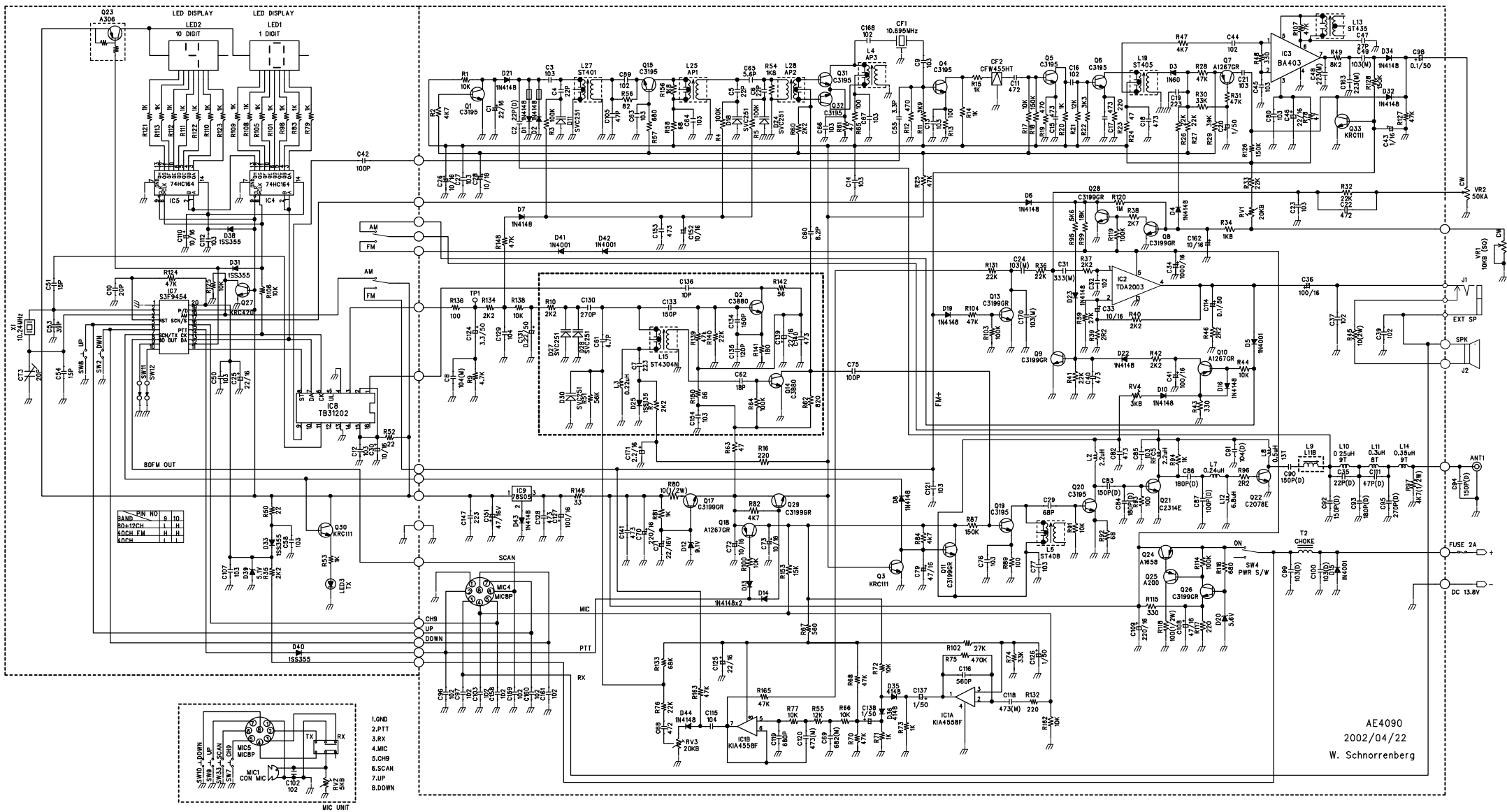


SCHEMATIC DIAGRAM AE4090



AE4090
2002/04/22
W. Schnorrenberg